



250 SERIES

- Correlation to:
ASTM D1657
ASTM D1250
- Calculation of Propane/Butane
percentage



**Portable/Laboratory Density Meter
For Liquefied Petroleum Gases (LPG)**

DM-250.3 (LPG Di)

IN PROCESS TO EXCELLENCE

Principle of Operation

Density and Viscosity

For Density and Viscosity measurements a vibrating sensor is used. The sensor consists of a compact cylindrical tube that is vibrated in a hoop mode which delivers a balanced drive.

This unique quality of the sensor allows for it to be installed not only with a rigid mounting, but also suspended on cables or using tape measures.

Density is determined using the well established resonant frequency principle. By alternately driving the sensor into vibration at the upper and lower half power (3dB) frequencies the bandwidth can be determined, which is also a function of the dynamic viscosity of the fluid.

Thus a single sensor will report the density, dynamic viscosity and temperature (from an integral RTD sensor) and thus kinematic viscosity can also be determined.

By using calculations based on the ASTM D341 equations, the kinematic viscosity can be calculated at a reference temperature. Base density can be calculated based on the methods defined in the Manual of Petroleum Measurement Standards.

DM-250.3 (LPG Di) Overview

OLED display

Device controller with
Built-in Bluetooth

Probe safety body

Manometer

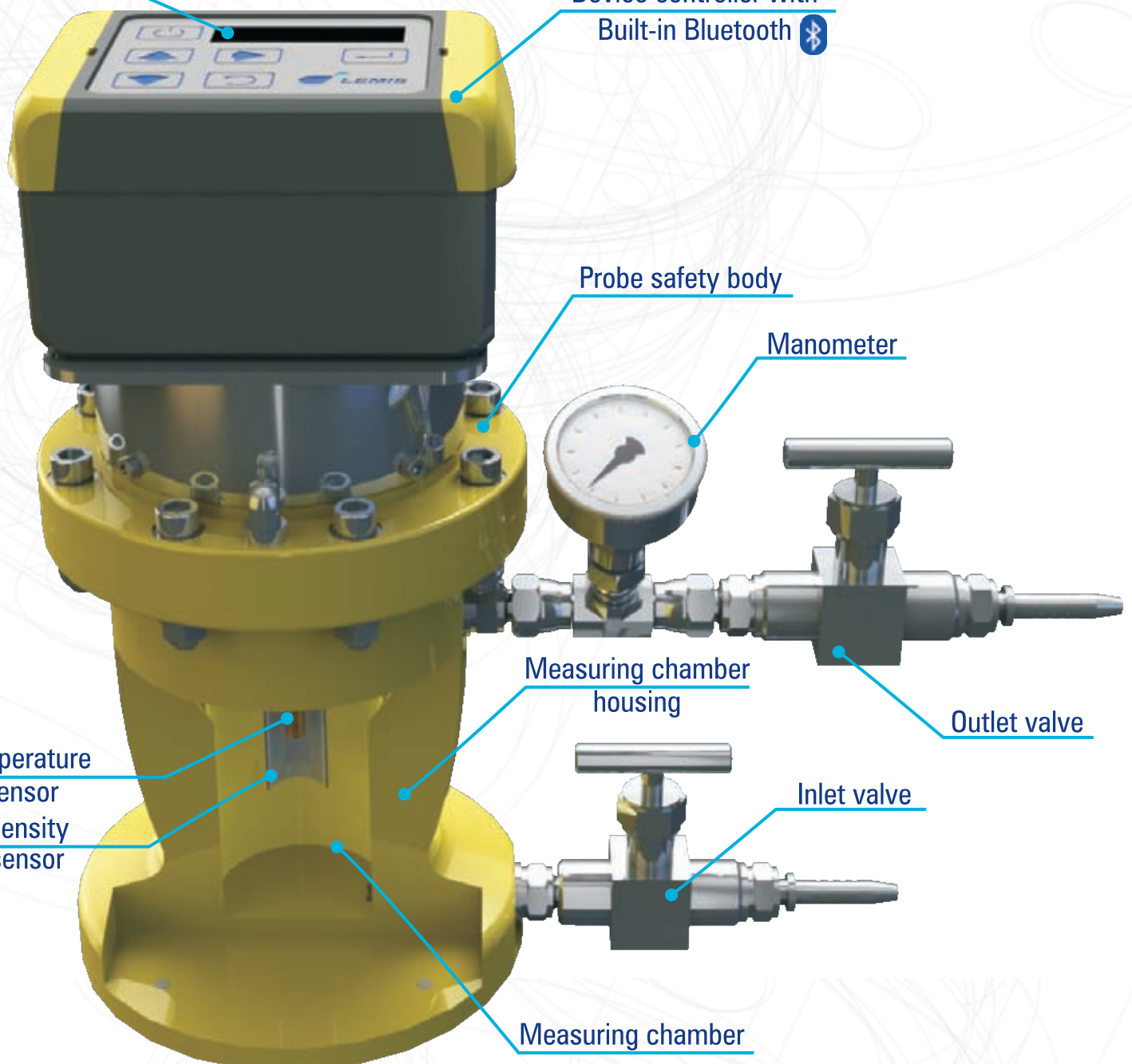
Temperature
sensor
Density
sensor

Measuring chamber
housing

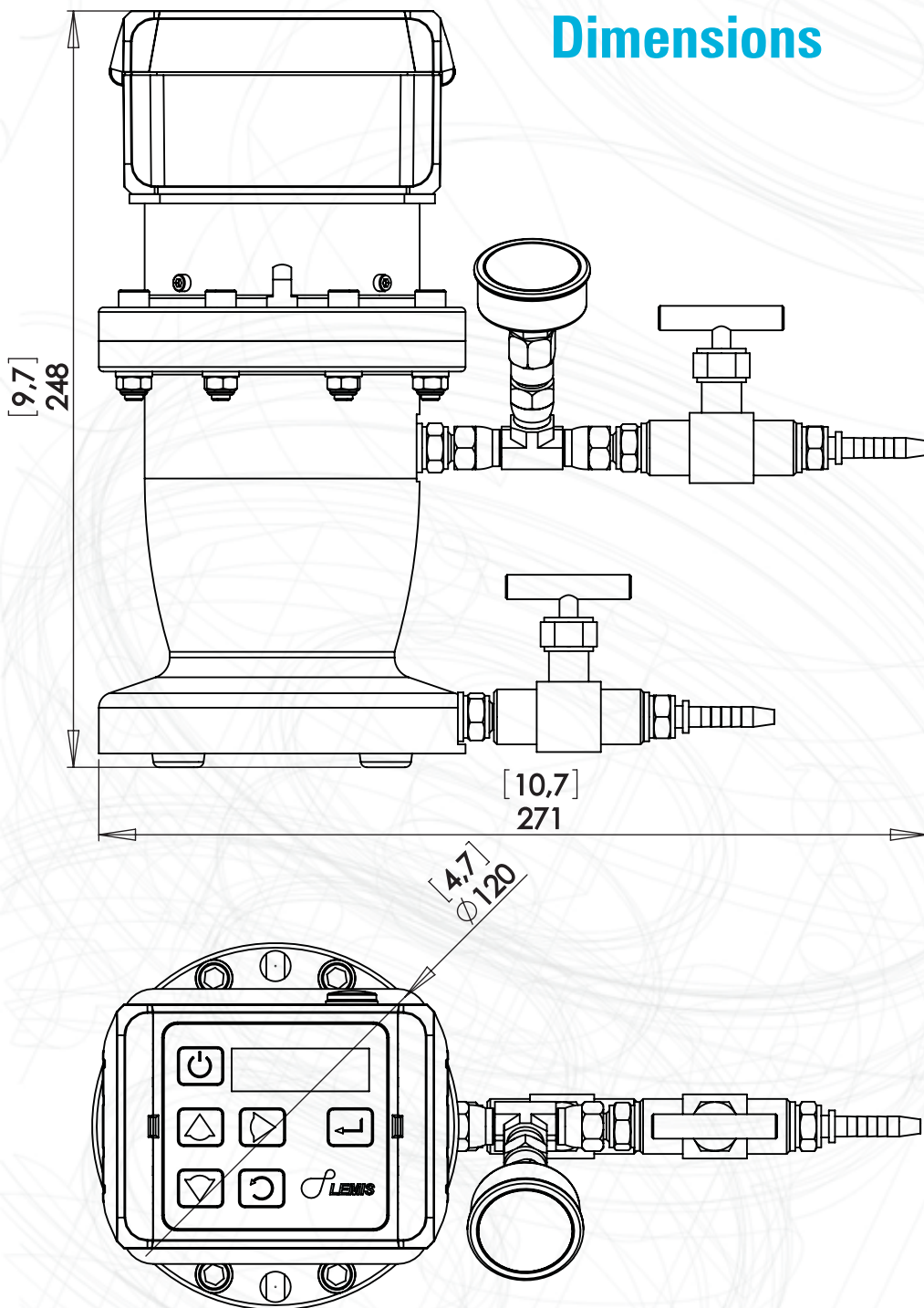
Outlet valve

Inlet valve

Measuring chamber



Dimensions

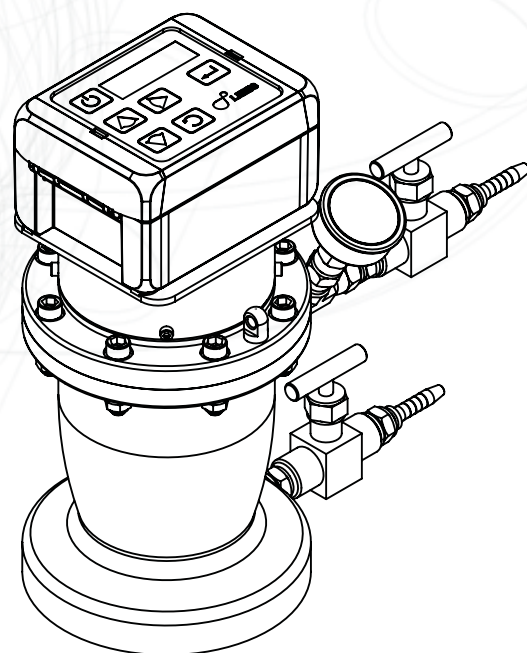


Advantages

- Direct density measurement
- Rigorous factory calibration and testing
- Automatic temperature compensation
- Small and compact
- Maintenance free
- Excellent correlation to ASTM D1657
- Readings on OLED Display
- Easy to operate
- Data transfer to PC

Applications

- LPG filling stations
- LPG fiscal transfer
- LPG storage
- Petroleum industry
- Concentration control at outlets and delivery points



Easy Measurement Visualization

Date and Time of measurement



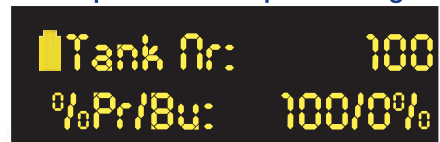
Referred Density



Density and Temperature



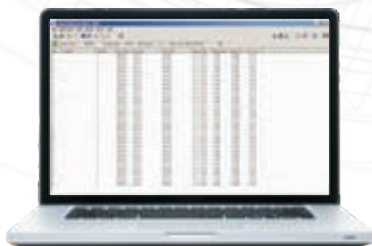
Tank Nr. and Propan/Butane percentage



Specifications

Measuring range:	
Density	0... 3 g/cm ³ (0... 3000 kg/m ³)
Density Standard calibration	0.475... 1.0 g/cm ³ (475... 1000 kg/m ³)
Temperature	-40... +85°C (-40... +185°F)
Accuracy:	
Density	±0.0003 or ±0.0005 g/cm ³ (±0.3 or ±0.5 kg/m ³)
Temperature	±0.1°C (±0.2°F) or ±0.2°C (±0.4°F)
Repeatability:	
Density	±0.00015 or ±0.00025 g/cm ³ (±0.15 or ±0.25 kg/m ³)
Temperature	±0.1°C (±0.2°F)
Resolution:	
Density	0.0001 g/cm ³ (0.1 kg/m ³)
Temperature	0.01°C (0.02°F)
Supported measuring units	Real Density: g/cm ³ , kg/m ³ , lb/gal, lb/ft ³ ; API; SG Referred Density: at 15°C, 20°C, 60°F; API60; SG60 Tables ASTM D 1250 Temperature in °C or °F
Ambient temperature	-40... +50°C (-40... +122°F)
Maximum Pressure	16 bar (1.6 MPa)
Testing Pressure	25 bar (2.5 MPa)
Sensor:	
Type	Vibrating element (Resonance principle)
Material	Stainless steel SS 316 L; NiSpan C; Hastelloy C22; Teflon
Hazardous environment Approvals	
Controller	II 2G (1G) Ex ib [ia Ga] IIB T4 Gb
Sensor	II 1G Ex ia IIB T4 Ga
Power supply	NiMH 3.6V-2500 mAh
Charging device	Input: AC 100-240 V AC; Output: 4,5 – 9,5 V DC Charge: 0.8 A
Operating time without charging	up to 24 hours
Continuous operating time	No less than 10 hours
Dimensions, weight:	
Density Meter	247 x 271 x 120 mm (9.7 x 10.6 x 4.72 in) 5.5 kg (12.1 lb)
Connections	Adapter ø6mm; other connections is customized
Temperature compensation	Automatic
Sample volume	250 ml
Data handling	OLED Display (2x12) with backlight Local memory up to 2000 results with date/time stamped Build in Bluetooth or USB for data transfer to printer or PC Optional Windows - based software
Delivery	Delivered in compact carrying case

* optional



Multifunctional software
compatible for Windows 7/8/10



Immediate printout of the
measurements by Bluetooth
No need for PC*



Delivered in compact carrying case

For more information please visit www.lemis-process.com



USA
LEMIS USA, Inc.
15556 Summit Park Dr. Suite 601
Montgomery
TX 77356, USA
Ph.: +1 281 465 8441

EUROPE
AS LEMIS Baltic
26 Ganibu dambis
Riga, LV-1005
Latvia, EU
Ph.: +371 6738 3223
Fax: +371 6738 3270

INDIA
LEMIS India PVT LTD
Haware Infotech Park
Office No.2004, Plot No. 39/3
Sector 30A, Vashi, Navi Mumbai. 400703, INDIA
Ph.: +91 22 6721 5655
Fax: +91 22 6794 2666

E-mail: info@lemis-process.com